

# product specifications

## physical characteristics

### Length

8.9 cm (3.5")

### Height

18.0 cm (7.1")

### Width

7.6 cm (3.0")

### Weight

300 g (10.5 oz) without cable

## optics system

VISIBLE LASER DIODE

1545E/1545F

670 nm  $\pm$  10 nm

1545G

650 nm  $\pm$  10 nm

Single mirror, bidirectional,  
retrocollective

### Scan rate

36  $\pm$  2 scans per second

## optical parameters

### Pitch

$\pm$  65° from normal

### Skew

$\pm$  55° from normal

### Distance

51 cm (20") with 40 mil code

## DEPTH OF FIELD

7.5 mil

(7.6 cm to 19 cm, 3.0" to 7.5")

10 mil

(6.3 cm to 25.3 cm, 2.5" to 10.0")

20 mil

(5.1 cm to 35.5 cm, 2.0" to 14.0")

40 mil

(10.2 cm to 51 cm, 4.0" to 20.0")

## print reflectance

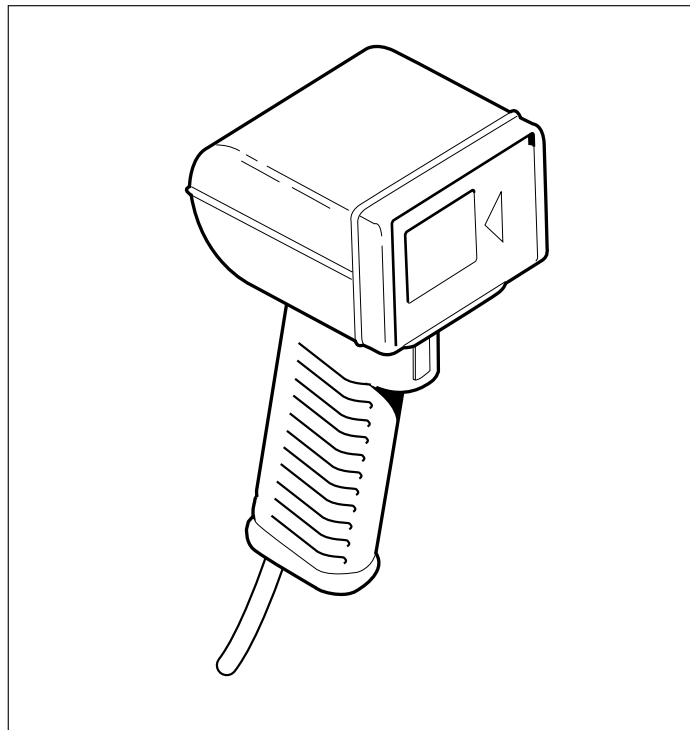
Minimum 35% reflectance difference

## ambient light immunity

Immune to direct exposure from office  
level lighting and direct exposure to  
sunlight

## operating current

125 mA nominal at 5V



## environment

### Operating

-20° to 50°C (-4° to 122°F)

### Storage

-40° to 60°C (-40° to 140°F)

### Humidity

Non-condensing (0 to 95% RH)

MIL-STD-810D, methods 506.2  
procedure II and 510.2 procedure II  
(wind-blown dust and rain)

SAE off-road vehicle spec for vibration  
(Class II)

## regulatory approvals

UL Listed, UL 1950

CSA Certified, C22.2 No. 220-M1986

TÜV to EN 60950 & EN 60825 Class 2

CE Marked

CDRH Class II

FCC Part 15

SOR/88-475 Class B verified

EN 55022 Class B, EN 50082-2  
compliant

CISPR 22 Class B compliant

UL Listed, UL 1604, Div. 2, Classes I,  
II, III (1545E51)



**print!  
capture!  
connect!**

# I545

## bar code laser scanner

## north america

INTERMEC CORPORATION  
6001 36TH AVENUE WEST  
P.O. BOX 4280  
EVERETT, WASHINGTON 98203-9280  
1 800 347 2636 *tel*  
1 206 355 9551 *fax*  
[HTTP://www.intermec.com](http://www.intermec.com) *internet*  
[info@intermec.com](mailto:info@intermec.com) *e-mail*  
**GOVERNMENT SYSTEMS GROUP:**  
1 206 356 1652 *tel*  
1 206 356 1889 *fax*  
LABEL PRODUCTS: 1 800 227 9947 *tel*

## europa/middle east/africa

INTERMEC EUROPEAN HEADQUARTERS  
P.O. BOX 40223  
6504 AE NIJMEGEN  
MICROWEG 20  
6545 CM NIJMEGEN  
THE NETHERLANDS  
+31 24 3723 131 *tel*  
+31 24 3781 847 *fax*  
LABEL PRODUCTS:  
+31 24 3723 100 *tel*  
+31 24 3780 070 *fax*

## asia-pacific/latin america

INTERMEC CORPORATION  
6001 36TH AVENUE WEST  
P.O. BOX 4280  
EVERETT, WASHINGTON 98203-9280  
1 206 348 2755 *tel*  
1 206 348 3788 *fax*  
LABEL PRODUCTS: 1 513 874 5882

## world-wide fax

DOCUMENT RETRIEVAL SERVICE  
1 800 755 5505 *tel*

The words Intermec, AccessPoint™, Collect™, CrossBar®, Interscan™, IPL™, IRL®, JANUS®, MEDALLION®, PrintSet™, TRAKKER®, TRAKKER™ Antares™, and the Print!Capture!Connect! character icons are trademarks of Intermec Corporation. Specifications are subject to change without notice. © 3/97 Intermec Corporation A Western Atlas Company



# Intermec